

[Print Friendly](#)

880 PRINTER USED ON KWIK LOK 872 ENCORE AND 872 LABELMASTER AUTOMATIC BAG CLOSING MACHINE



The 880 is an air operated cold transfer printer ideally suited for printing multi-line information on any Kwik Lok Closure used on the 872 Bag Closing Machines.

The versatility and lower cost makes the 880 Printer a sound investment for many packagers. Type can consist of prices, dates, codes, logos, etc. The printer uses cold transfer tape and hardened steel type. One roll of tape can yield up to 40,000 impressions.

The printer operates at up to 120 bags per minute. The speed of the printer is dependent on the speed of the 872 Bag Closing Machine.



TYPE	MODEL	FLOW	BAG CLOSING MACHINE	CLOSURES	SPEED
880A	A	R or L	872 ENCORE FACTORY INSTALLED	VI, V-NRP VWI, VW-NRP JI, J-NRP KI, K-NRP KWI, KW-NRP JM-NRP KM-NRP ZI, Z-NRP	UP TO 120 BAGS PER MINUTE
880A	B	R or L	872 LABELMASTER FACTORY INSTALLED	JI, J-NRP KI, K-NRP KWI, KW-NRP JM-NRP KM-NRP ZI, Z-NRP CJ, CFJ* P, PF* T, TF*	UP TO 120 BAGS PER MIN.
			872 ENCORE	VI, V-NRP VWI, VW-NRP JI, J-NRP KI, K-NRP	UP TO 120 BAGS

880AF	A	R or L	FIELD INSTALLED ON EXISTING CLOSER	KWI, KW-NRP JM-NRP KM-NRP ZI, Z-NRP	PER MIN.
880AF	B	R or L	872 LABELMASTER FIELD INSTALLED ON EXISTING CLOSER	JI, J-NRP KI, K-NRP KWI, KW-NRP JM-NRP KM-NRP ZI, Z-NRP CJ, CFJ* P, PF* T, TF*	UP TO 120 BAGS PER MIN.

* Series CFJ, PF and TF can only be run through an 872 Labelmaster specially equipped with reverse lok tracks.

PRINTERS ARE AVAILABLE FOR THE FOLLOWING POWER REQUIREMENTS:

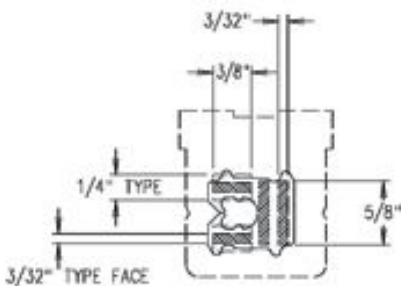
1. 115V - 60Hz, 0.5 Amp, 1 Ph
 2. 200V/250V - 50/60 Hz, 0.5 Amp, 1 Ph
- Contact Factory for any special electrical requirements.

AIR REQUIREMENTS: 1 SCFM at 80PSI (Clean and Dry)

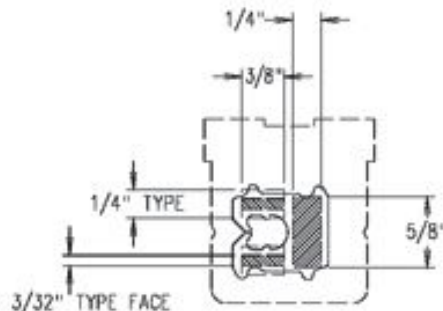
880 PRINTER: AVAILABLE PRINT SET UPS

Model B Printers will print all set ups shown. Model A will not print on closure-labels.
Set Ups require different Master Plates

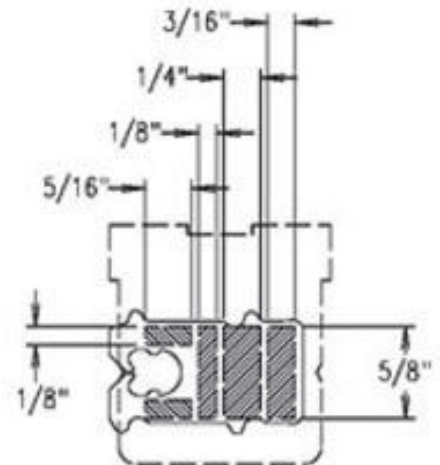
MASTER PLATE	CLOSURES	LINES OF PRINT
08-001907	JI or J-NRP	1, 2 or 3
	KI or K-NRP	1,2 or 3
	JWI or KW-NRP	3
	JM-NRP	2 or 3
	T or TF LABELS	1, 2 or 3
	TM or TFM LABELS	2 or 3
	TZ or TFZ-NRP LABELS	2 or 3
08-002677	JI or J-NRP	3
	KI or K-NRP	3
	TF	3
08-002268	JI or J-NRP	3
	KI or K-NRP	3
08-002647	VI or V-NRP	4
08-002648	VI or V-NRP	3
08-003061	VWI or VW-NRP	5
08-004535	JM-NRP	5

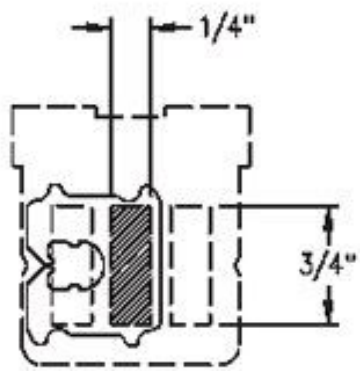


Series VI or V-NRP
08-002647 Master Plate

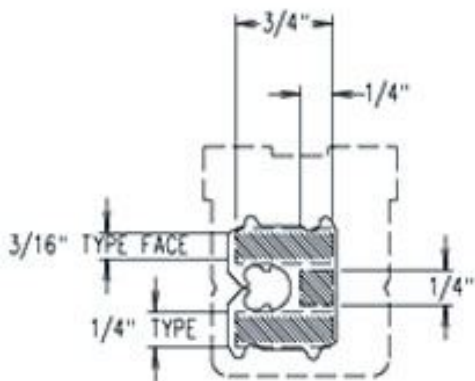


Series VI or V-NRP
08-002648 Master Plate

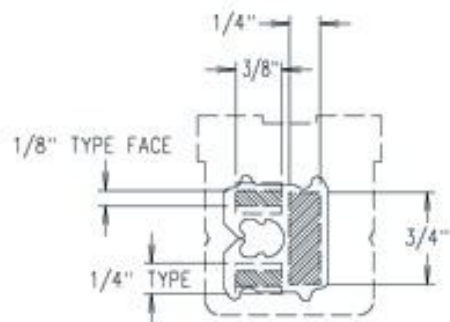




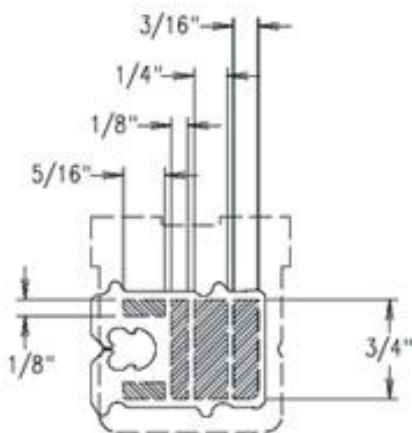
Series JI, J-NRP, KI or K-NRP
08-001907 Master Plate



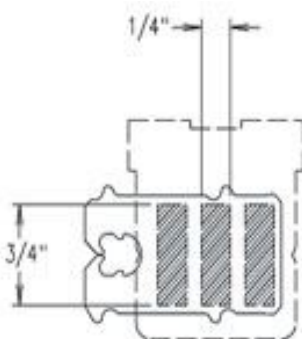
Series JI, J-NRP, KI or K-NRP
08-002268 Master Plate



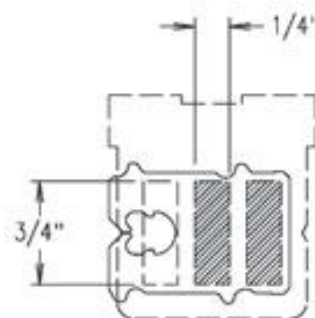
Series JI, J-NRP, KI or K-NRP
08-002677 Master Plate



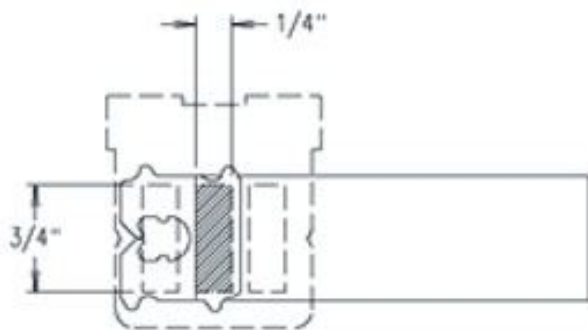
Series JM-NRP or KM-NRP
08-004535 Master Plate



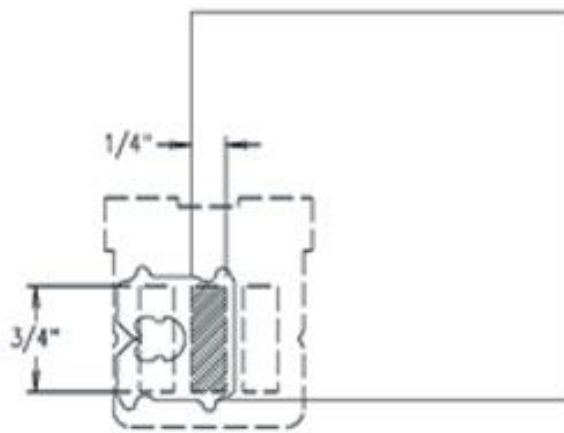
Series JM-NRP or KM-NRP
08-001907 Master Plate



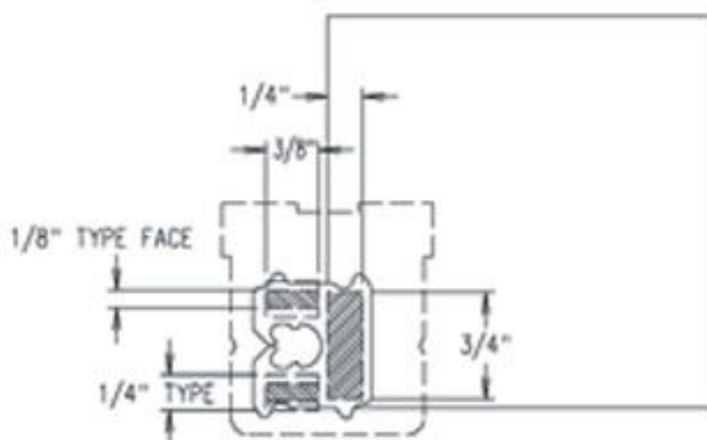
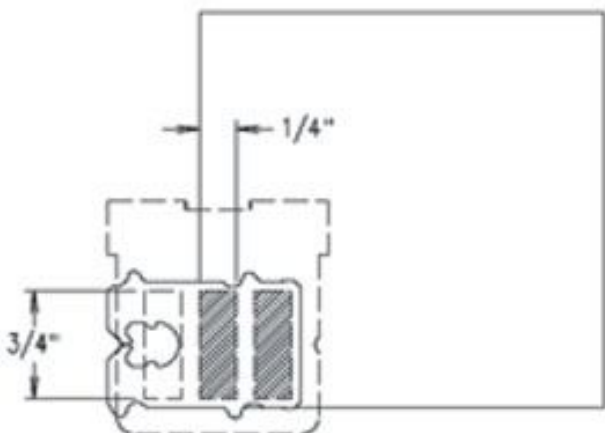
Series JM-NRP or KM-NRP
08-001907 Master Plate



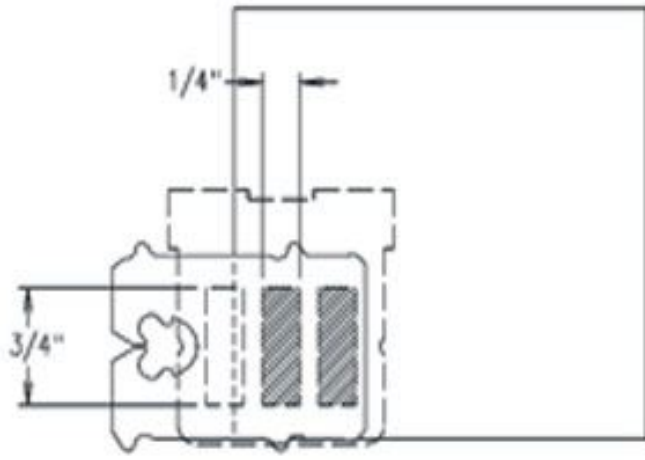
Series P or PF Closure-Labels
08-001907 Master Plate



Series T or TF Closure-Labels
08-001907 Master Plate

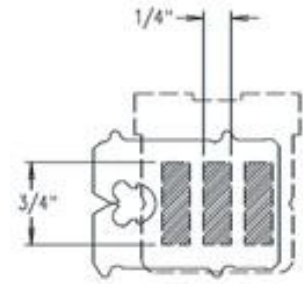


Series T or TF Closure-Labels
08-001907 Master Plate



Series TZ or TFZ Closure-Labels
08-001907 Master Plate

Series TF Closure-Labels
08-002677 Master Plate



Series Z or Z-NRP
08-001907 Master Plate