

1011 PRINTER USED ON KWIK LOK AUTOMATIC BAG CLOSING MACHINES

[Print Friendly](#)



The 1011 uses steel type and dry cold-transfer printing tape. One roll of tape will yield up to 40,000 impressions.

The 1011 can be mounted on all Kwik Lok automatic bag closing machines except the 865.

The printer features an adjustable cam-driven printing head that insures distinct and durable impressions on every closure. The printer uses a tape feed adjustment to minimize the amount of printing tape being used.

The printer will print on all Kwik Lok bag closures and closure-labels at speeds up to 120 closures per minute.



TYPE	MODEL	FLOW	PRINT POSITION	CLOSURE
1011E	A	R or L	1	JI, J-NRP KI, K-NRP JWI, JW-NRP KWI, KW-NRP ZI, Z-NRP
1011E	C	R or L	5	JI, J-NRP KI, K-NRP VI, V-NRP VWI, VW-NRP
1011E	D	R or L	5A	JI, J-NRP TF
1011E	E	R or L	3	JI, J-NRP T
1011E	F	R or L	3	JI, J-NRP P
1011E	G	R or L	6	JI, J-NRP T
1011E	H	R or L	6	JI, J-NRP P
1011E	I	R or L	6	KI, K-NRP T
1011E	J	R or L	5B	TZ, TFZ
1011E	K	R or L	2A	P, T

MODELS ARE AVAILABLE FOR THE FOLLOWING POWER REQUIREMENTS:

1. 115V - 60Hz, 2.5 Amp, 1 Ph
2. 200V - 50 Hz, 1.6 Amp, 1 Ph
3. 200V - 60 Hz, 1.4 Amp, 1 Ph
4. 220 V/230V - 50 Hz, 1.5/1.7 Amp, 1 Ph
5. 220/230 V - 60 Hz. 1.3/1.4 Amp, 1 Ph
6. 240/250V - 50 Hz, 1.4/1.5 Amp, 1 Ph

1011 PRINTER: AVAILABLE PRINT POSITIONS

PRINT POSITION 1

PRINT POSITION 2A

PRINT POSITION 3

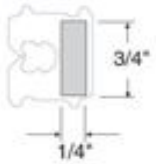


CLOSURE	NO. OF LINES
JI, J-NRP KI-K-NRP	1
JWI, JW-NRP KWI, KW-NRP	1, 2 or 3
ZI, Z-NRP	1, 2 or 3

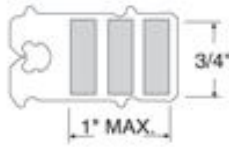
CLOSURE	NO. OF LINES
P	1, 2 or 3
T	1, 2 or 3

CLOSURE	NO. OF LINES
JI, J-NRP KI-K-NRP	1
P	1
T	1

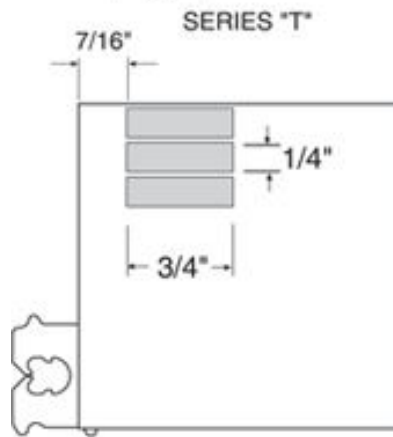
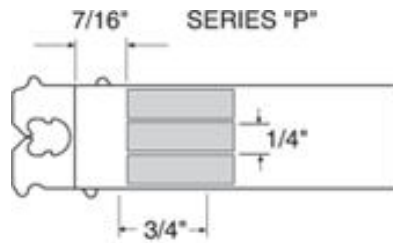
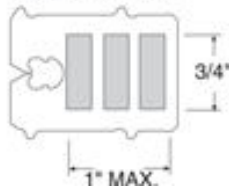
SERIES "J-NRP"



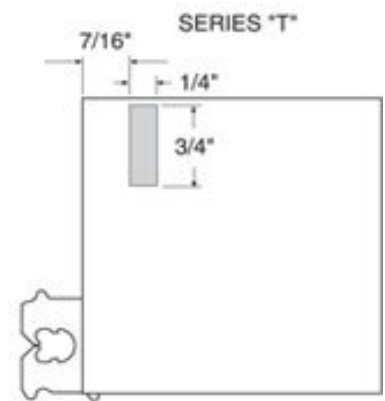
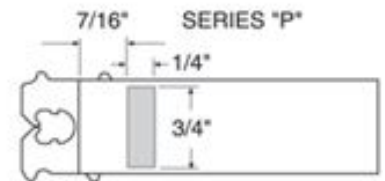
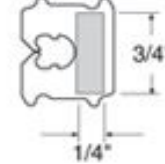
SERIES "JW-NRP"



SERIES "Z-NRP"



SERIES "J-NRP"



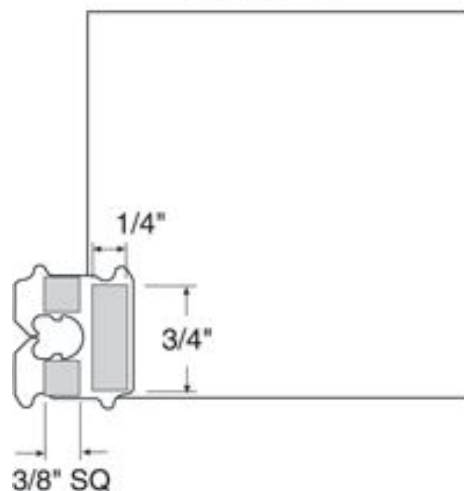
PRINT POSITION 5

CLOSURE	NO. OF LINES
JI, J-NRP KI-K-NRP	1, 2 or 3
VI, V-NRP	1, 2, 3 or 4
VWI, VW-NRP	1, 2, 3, 4 or 5
JM-NRP	1, 2, 3, 4 or 5

PRINT POSITION 5A

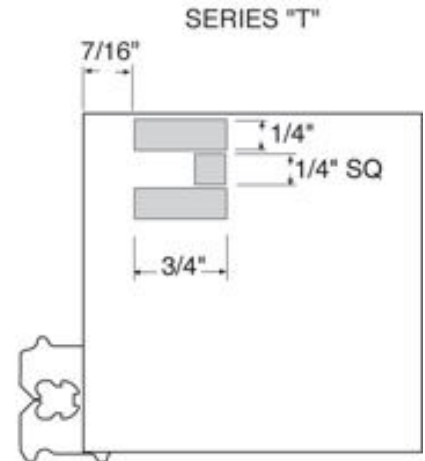
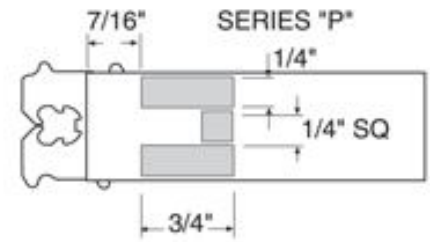
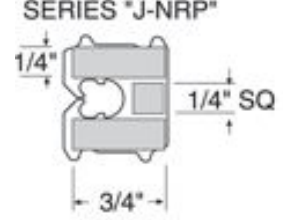
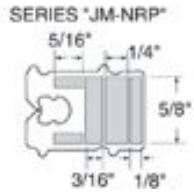
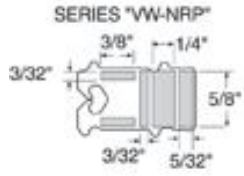
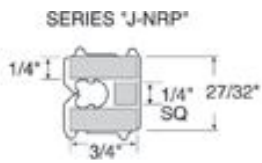
CLOSURE	NO. OF LINES
JI, J-NRP KI, K-NRP	1, 2, or 3
TF	1, 2 or 3

SERIES "TF"



PRINT POSITION 6

CLOSURE	NO. OF LINES
JI, J-NRP KI, K-NRP	1, 2, or 3
P	1, 2 or 3
T	1, 2 or 3



Prints directly over the closure which is glued to front of label on Series TF.