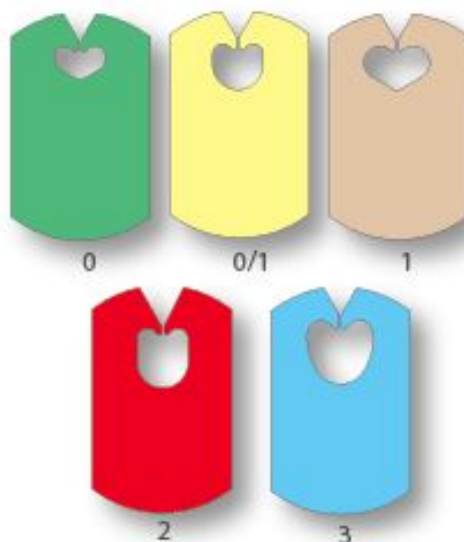


[Print Friendly](#)

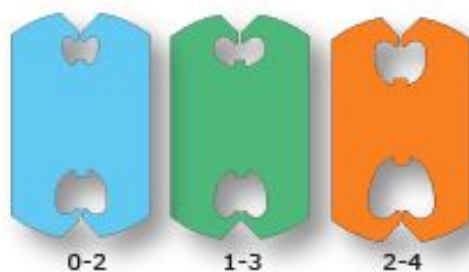
**SERIES AA, AB, AD, AE USED WITH 814 DISPENSERS**

These closures are used with Kwik Lok's 814A and 814B Dispensers. The closures are packaged on metal rods for loading in the dispensers. Series AA is a stock item available in orange plastic only and a No. 0 lok opening size. Series AB can be ordered pre-printed, or unprinted. Series AB is available in seven plastic colors and five lok opening sizes.

Series AE and Series AD are manufactured with lok openings at both ends of the closure permitting each closure to be used with a wider range of package sizes. Series AD is available in orange plastic only and a No. 0-2 lok opening size. Series AE is available in seven plastic colors and three lok opening size combinations.



**DUAL LOK OPENINGS (SERIES AM, AD, & AE)**



UNPRINTED  
SERIES AA (MEDIUM DUTY)



PRINTED  
SERIES AB (MEDIUM DUTY)

Lok Opening sizes and plastic colors available with these closures. Note plastic colors shown on the web site do not necessarily match actual plastic colors.

**SPECIFICATIONS**

**Size:** 27/32" x 1-3/8"

**Plastic Thickness:**  
Series AA, AB, AD, & AE: 0.030"

**Plastic Colors:**  
Series AA:  
Orange only  
Series AB, AD & AE:  
White, Red, Blue, Yellow, Tan, Green & Orange.

**Ink Colors (Series AB):**  
Black, Blue and Red

**Lok Opening Sizes:**  
Series AA: 0 only

Series AB: 0, 0/1, 1, 2, 3, GP-2.  
Series AD & AE:  
0-2, 1-3, 2-4

**PRINTING INFORMATION**

Series AB can be pre-printed in a Kwik Lok Factory with your text copy. Copy can be printed in either black or red ink (2-Color printing is not available).

You may print closures with different copy, ink colors must remain the same in order to group together for price breaks.

Closures with different lok opening sizes can be grouped for price breaks or plastic colors, as long as ink color remains the same.

Tooling changes, plastic color changes and plate changes will be subject to additional charges per order.

Closures are printed using rubber plates and a quick drying ink. It is recommended that printed matter be limited to text copy using a medium to light weight type face.

**PACKAGING INFORMATION**

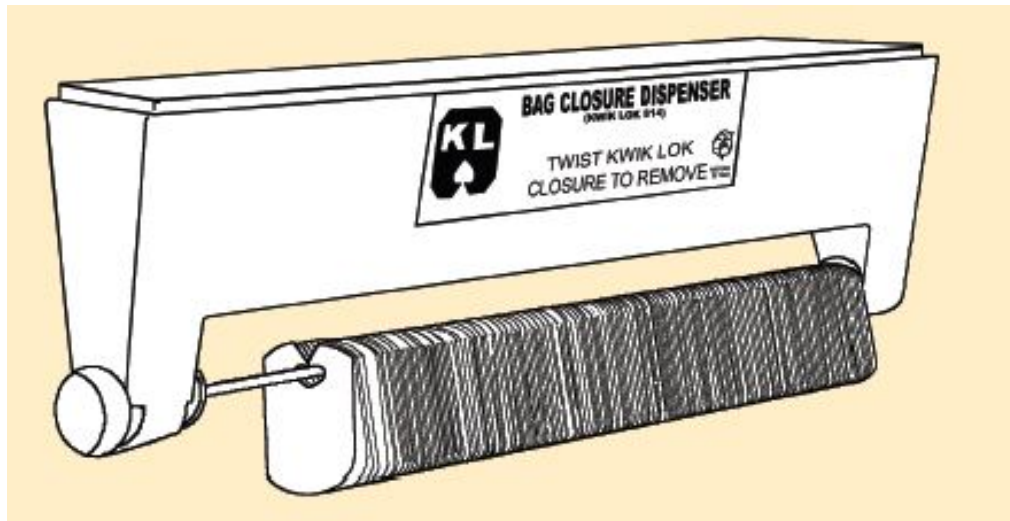
**FILM BAG:** Closures are packaged on metal rods to facilitate use on the 814 Dispenser (250 per rod); 20 rods per carton (5M).

## Shipping Weights (Approximate):

Series AA, AB, AD & AE:

5M Pack 7.5 Lbs

### 814 KWIK LOK DISPENSER



The 814 Dispenser uses Series AA, AB, AD and AE Bag Closures. The closures are packaged on metal rods that are loaded into the dispenser. The dispenser is mounted at a bagging station. The 814 is widely used in supermarket produce sections allowing the consumer to close their produce bags. Using the Kwik Lok Closure prevents the bag contents from spilling and is handy at home for storage. The consumer can remove the item from the bag and then use the Kwik Lok to reclose the bag.

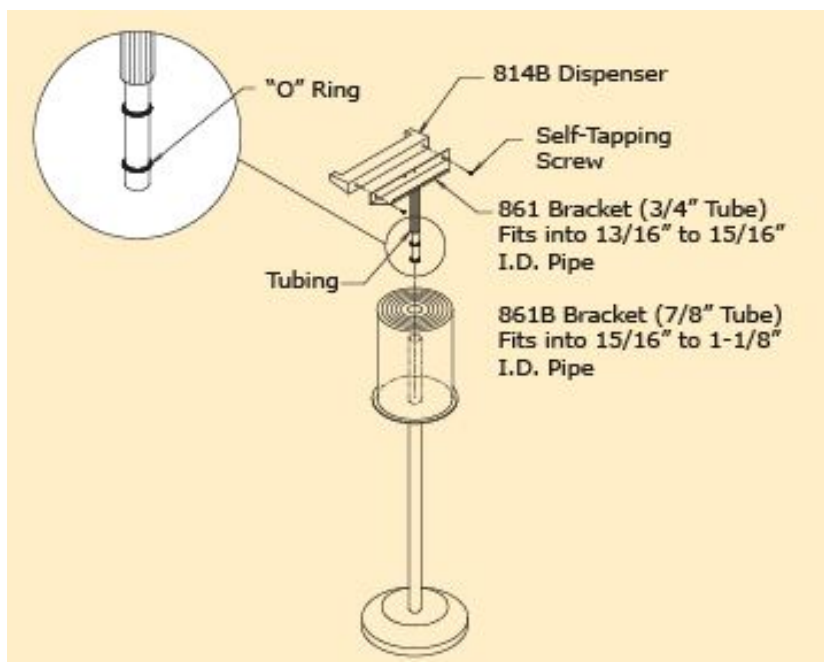
The 814 Dispenser is constructed of virtually Indestructible AS plastic.

The dispenser is available in two types:

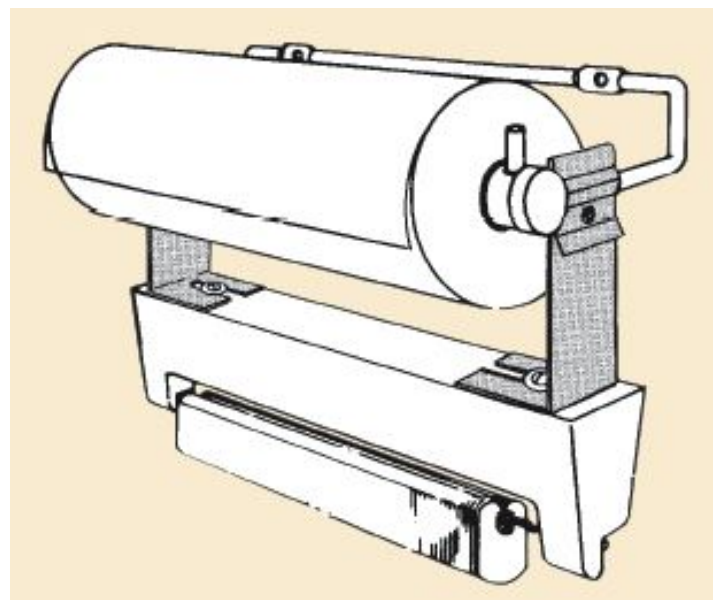
The 814A uses double-sided tape permitting fast, easy installation at a bagging station.

The 814B is mounted directly on roll bag mounts using either the 826 or 861 Adapter Brackets.

#### 861 Brackets for mounting the 814 on Island Roll Bag Stations



#### 826 Adapter Brackets for mounting the 814 on valance mounted Roll Bag Stations



The 861 Bracket is mounted to back of 814B Dispenser using self-tapping screws (provided). The bracket's tube then slips over the roll bag pipe.

**826 Adapter Bracket Set:** Two brackets that permit the 814 Dispenser to be mounted on roll bag mounts using two self-tapping screws